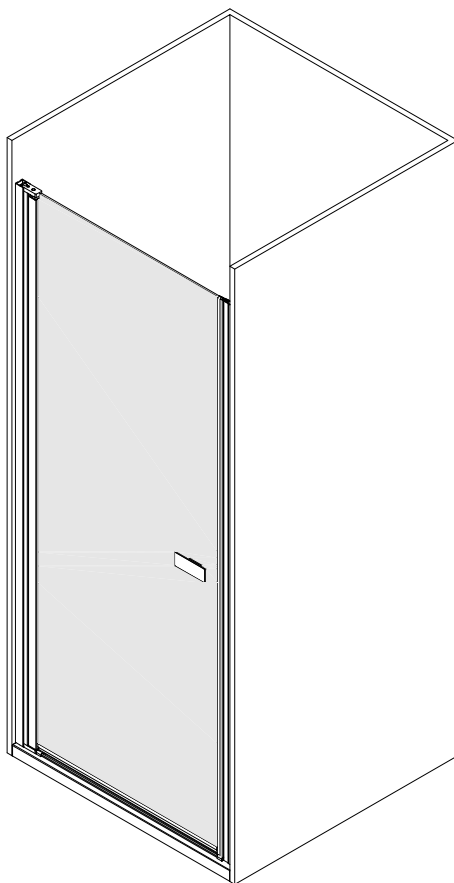
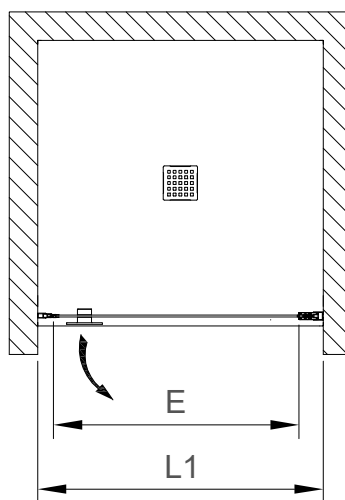
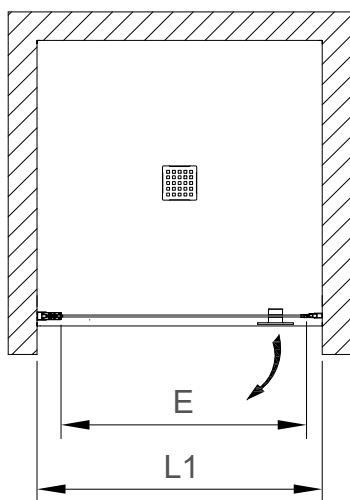


Andromeda N

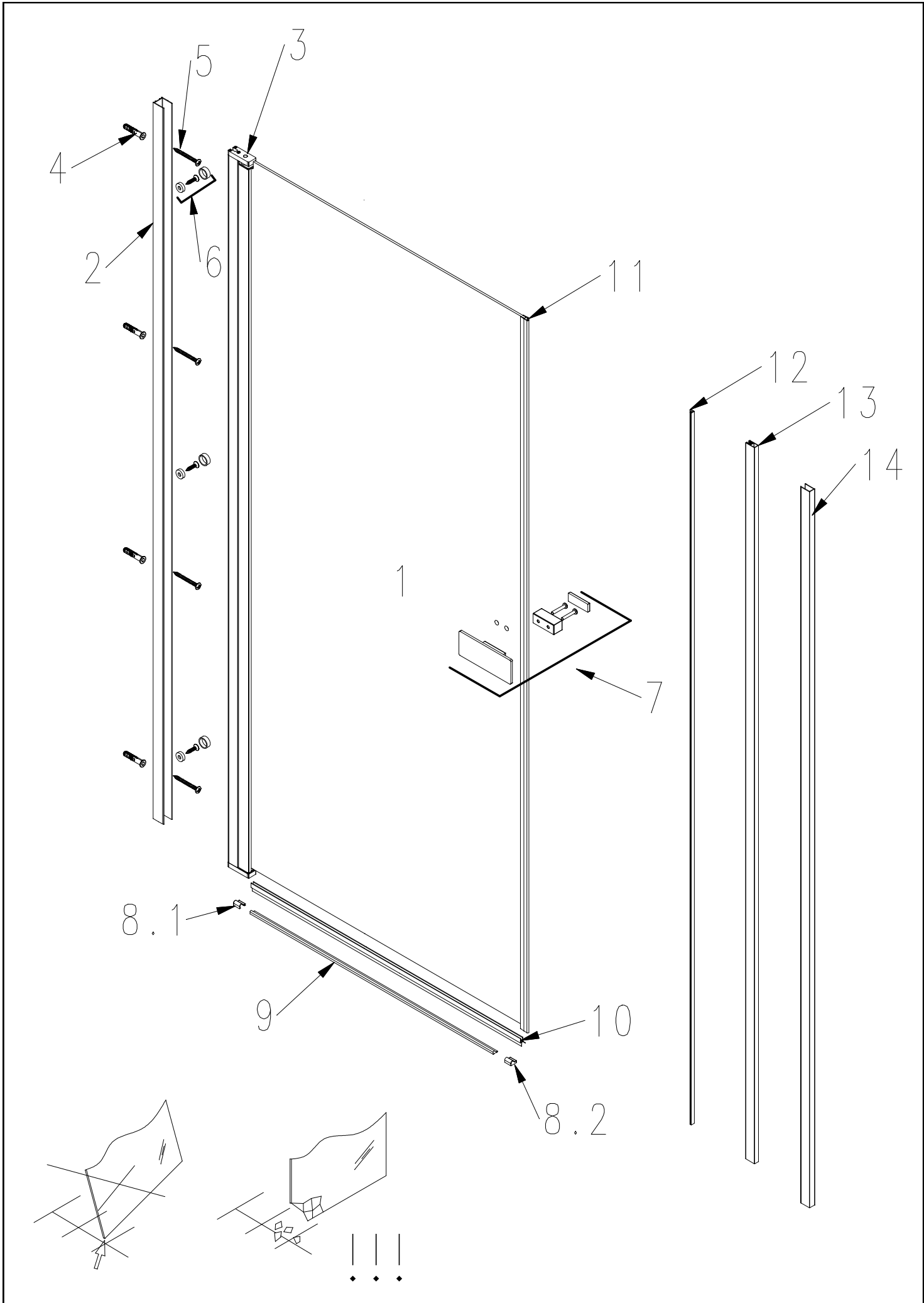


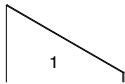
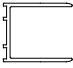
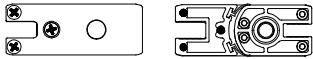

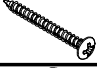
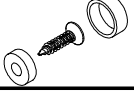
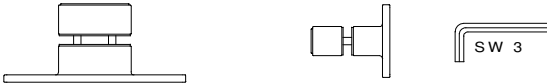
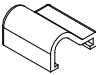
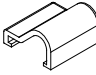


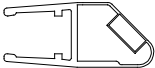
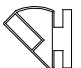
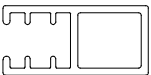
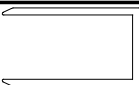
UNI

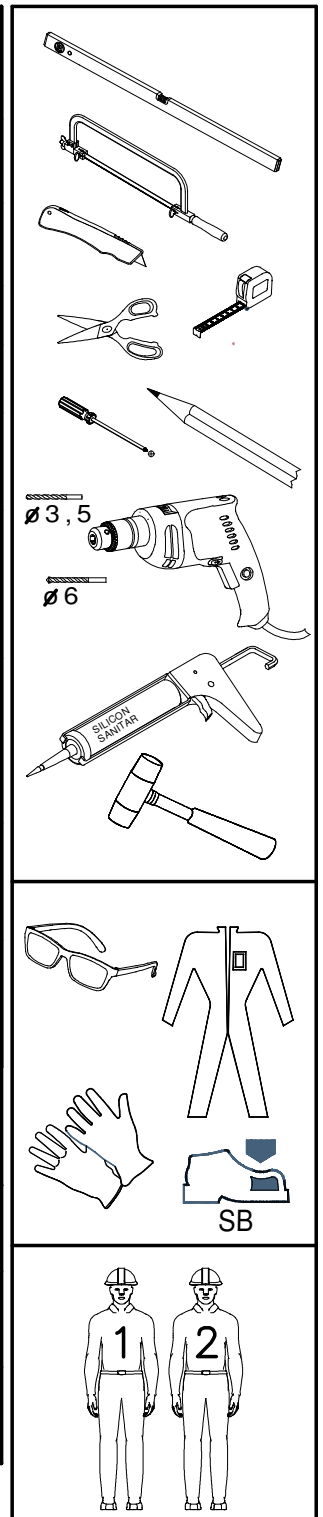
UNI



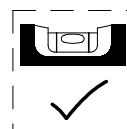
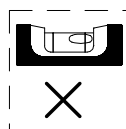
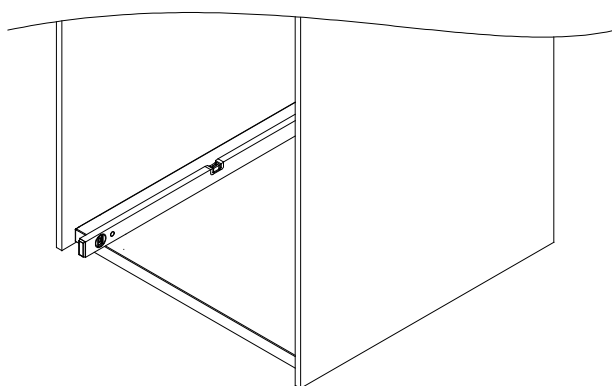
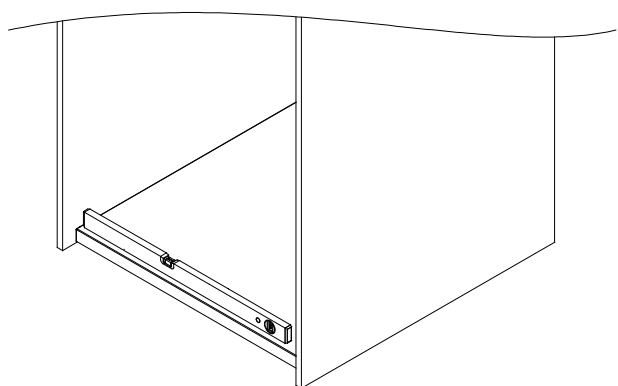
	L 1	±	E
N 80	780-800	2000	670
N 90	880-900	2000	770
N 100	980-1000	2000	870



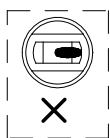
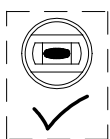
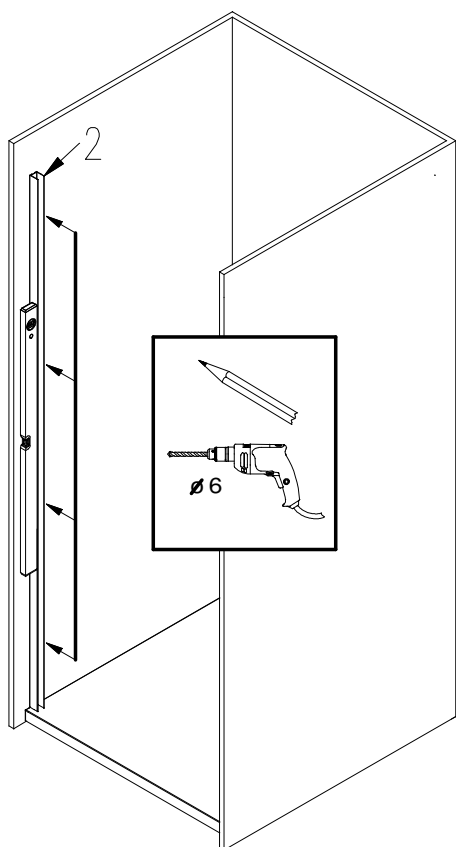
1.		1
2.		1
3.		1
4.	 $\varnothing 6 \times 35$	8
5.	 $\varnothing 4 \times 40$	8
6.	 $\varnothing 3,9 \times 13$	6
7.		1
8.1		1
8.2		1
9.		1
10.		1
11.		1
12.		1
13.		1
14.		1



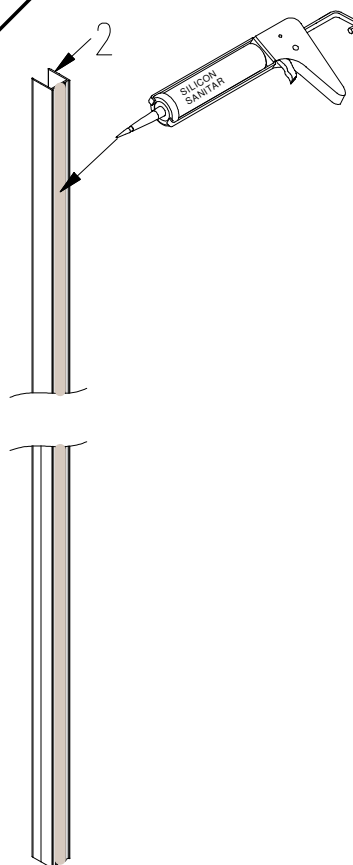
1



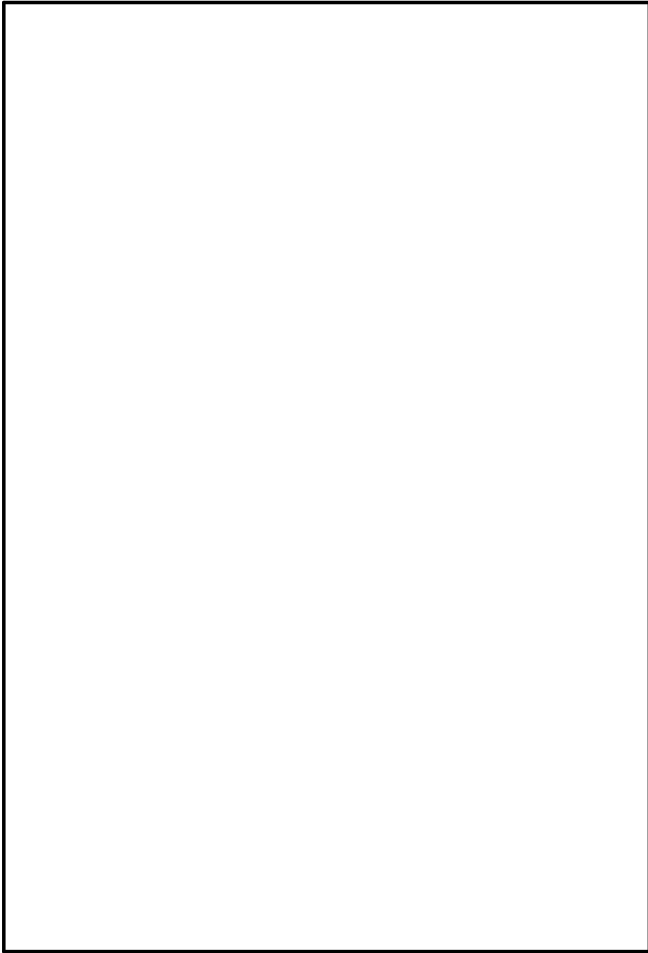
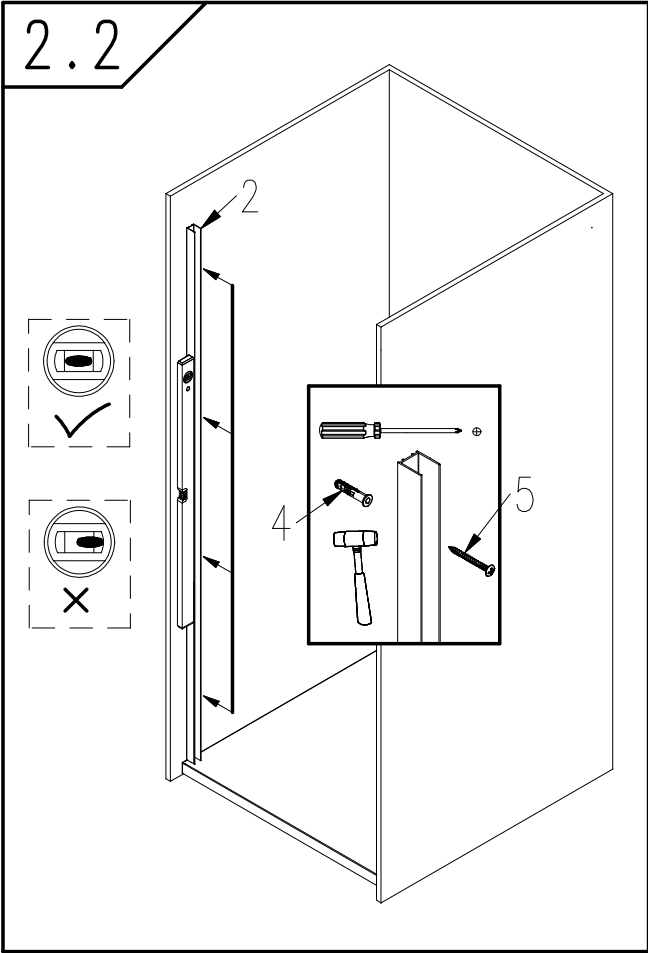
2



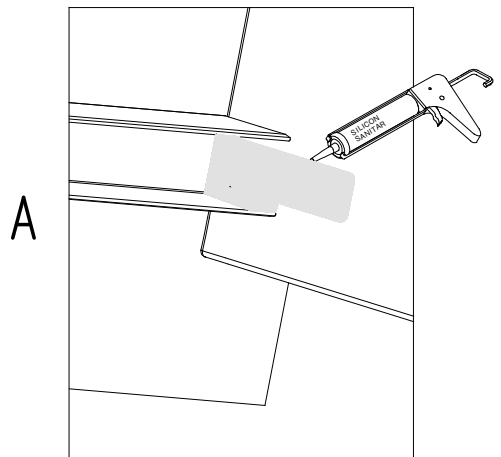
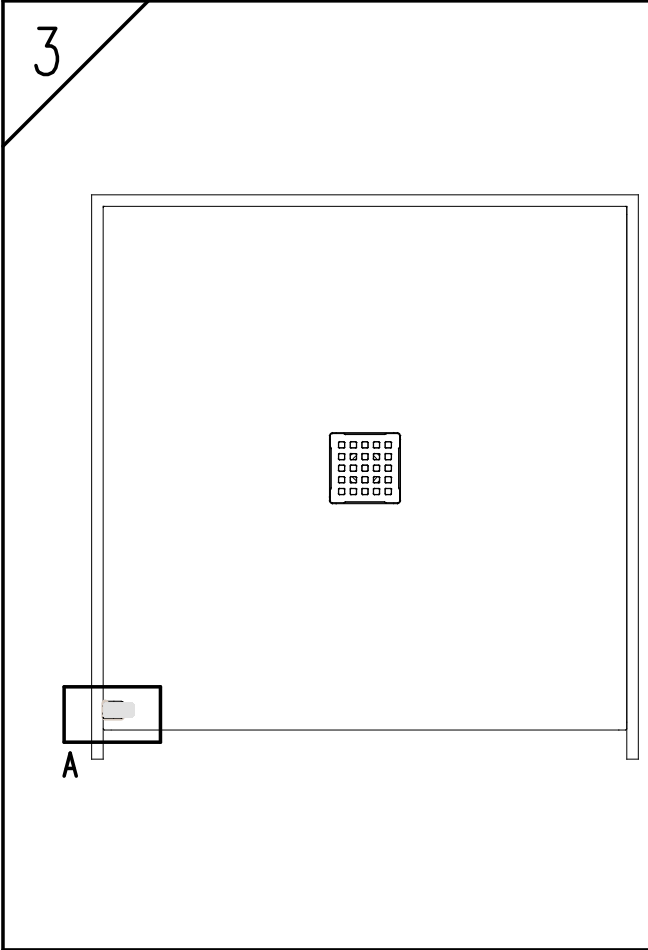
2.1



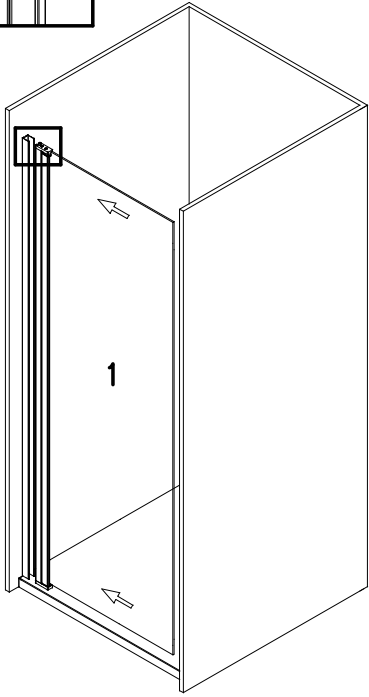
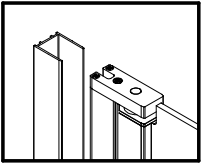
2.2



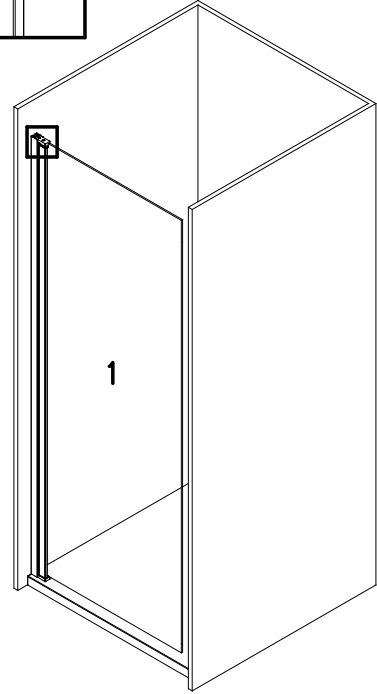
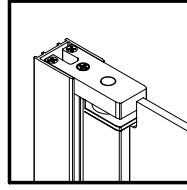
3



4

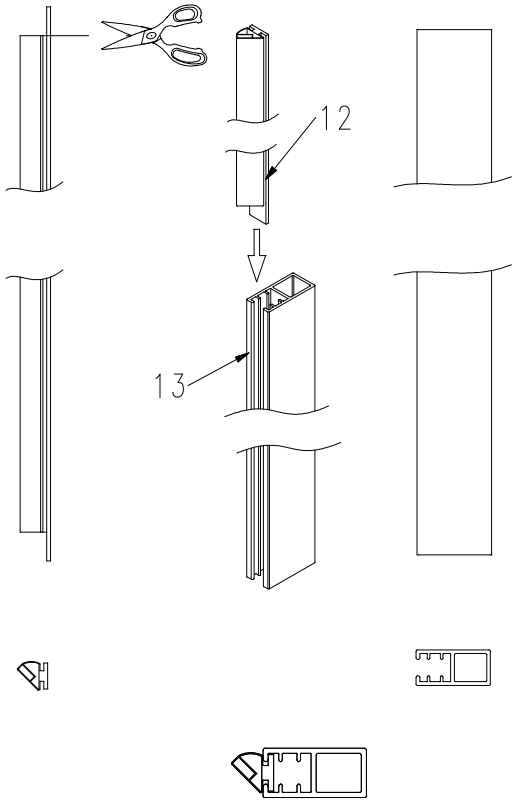


4.1



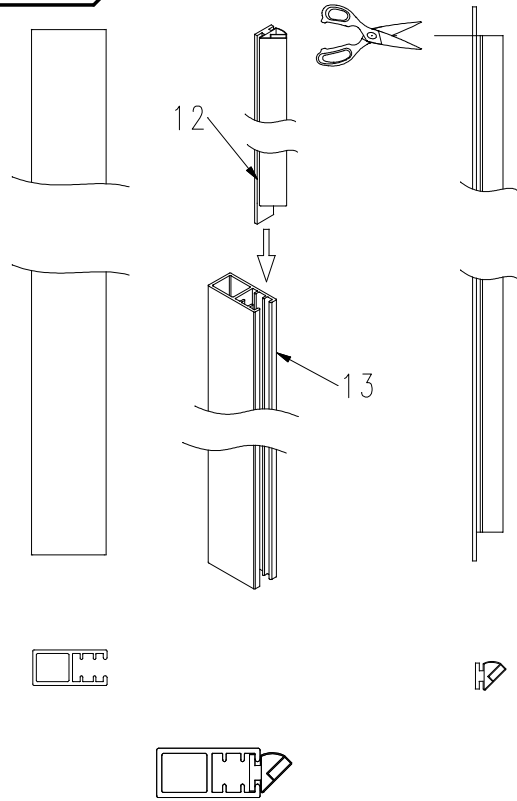
5

LEFT OPTION

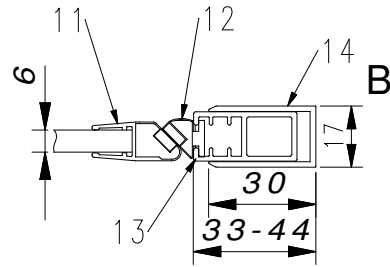
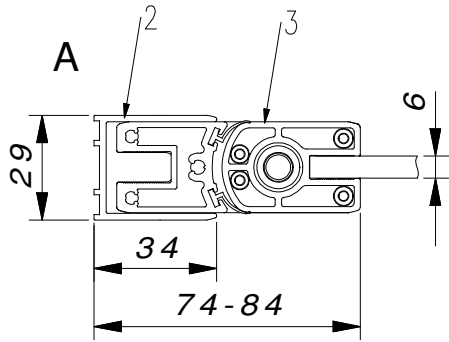
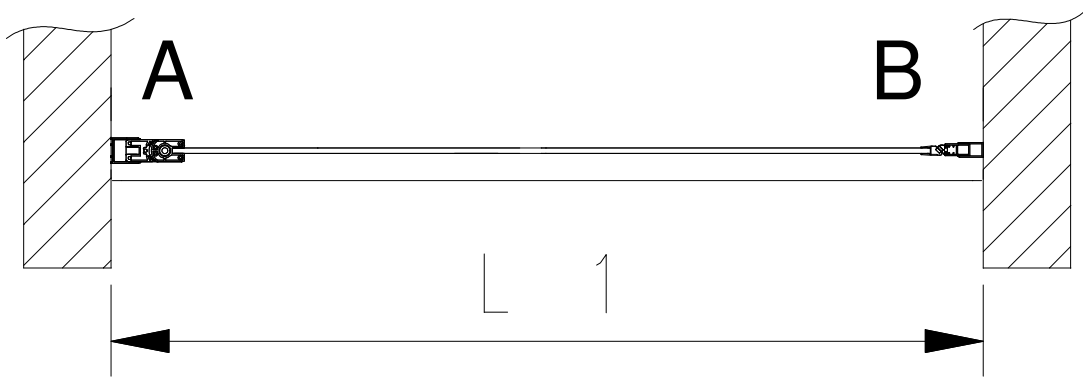


5.1

RIGHT OPTION

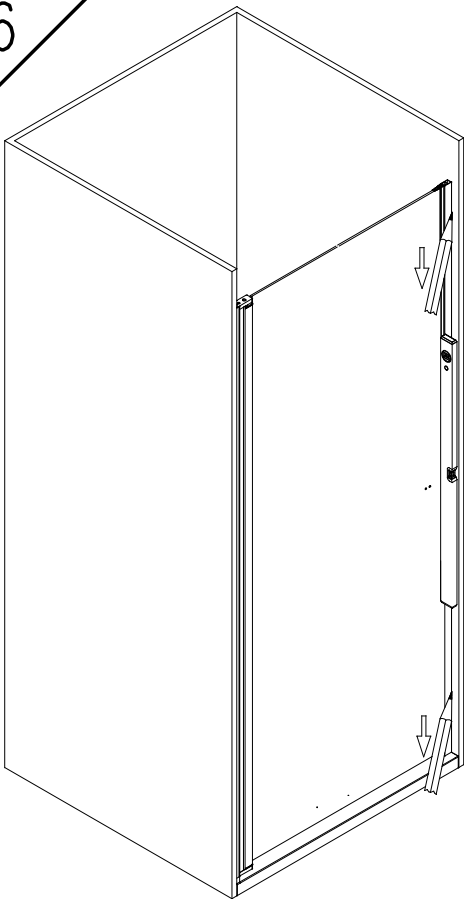


5.2

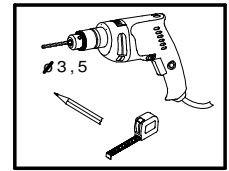
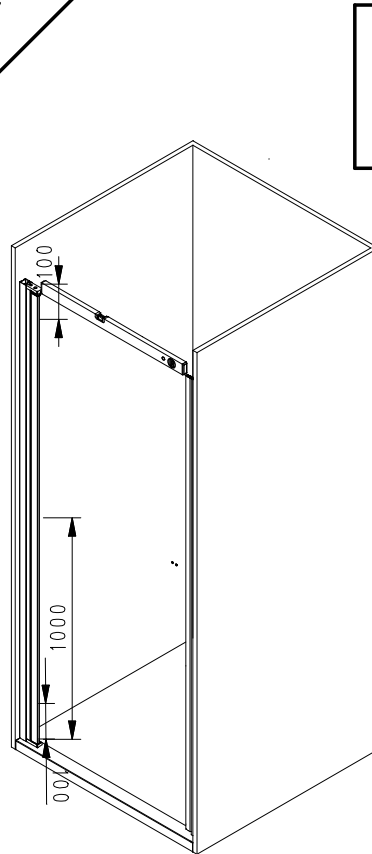


	L 1
N 80	780-800
N 90	880-900
N 100	980-1000

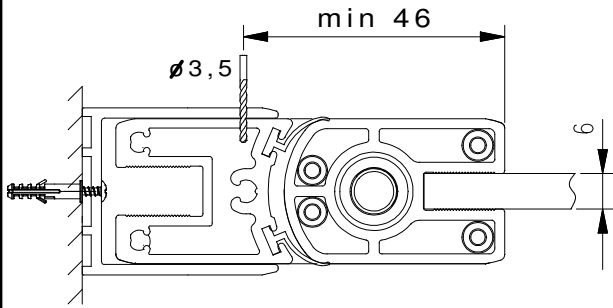
6



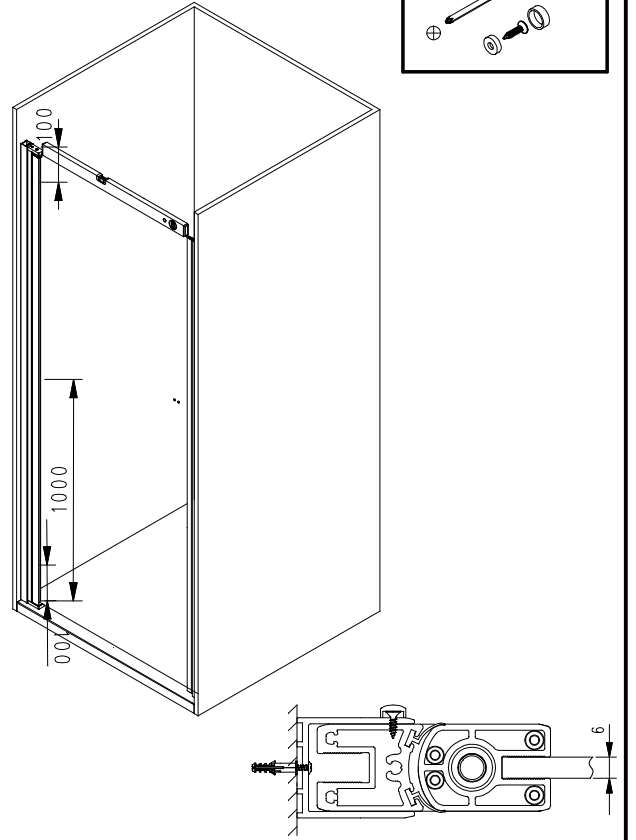
7



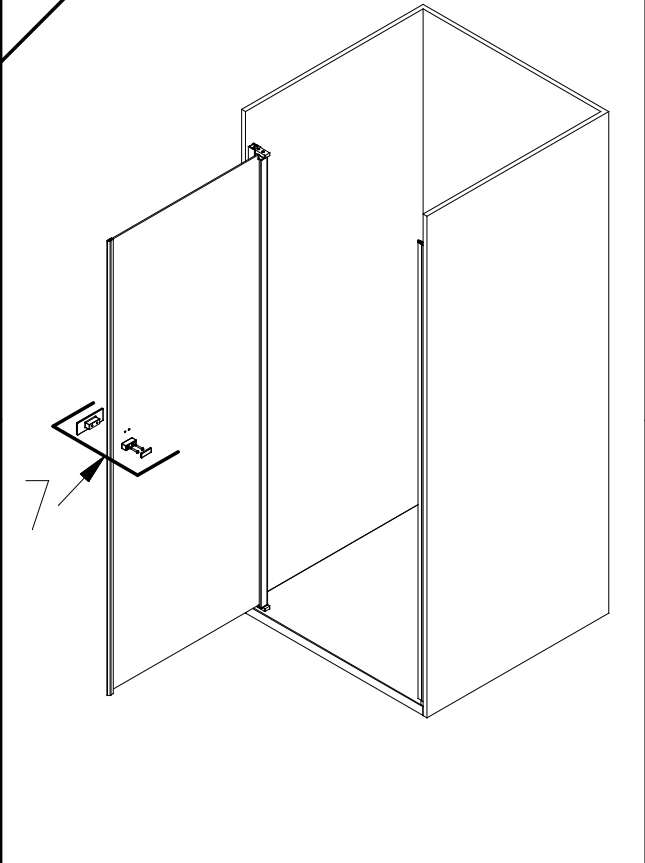
7.1



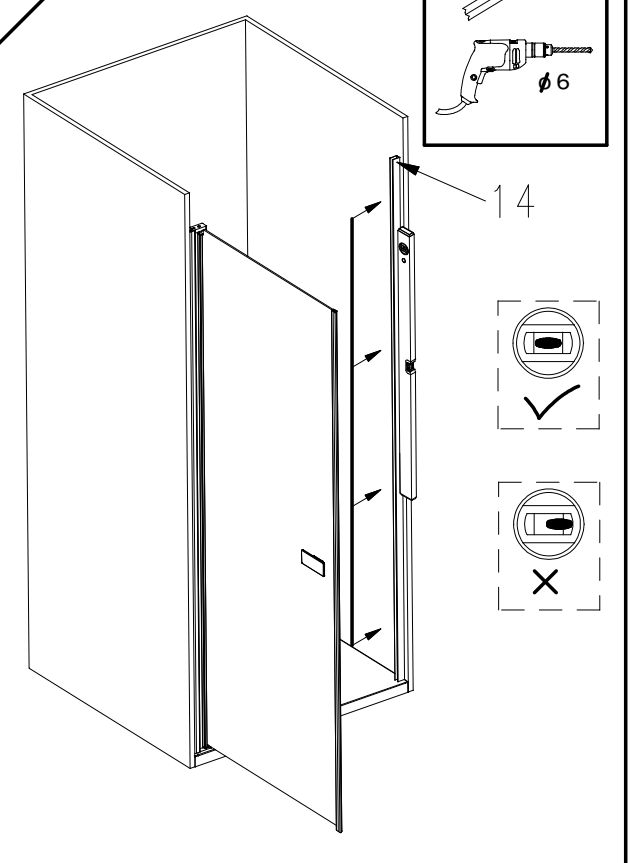
7.2

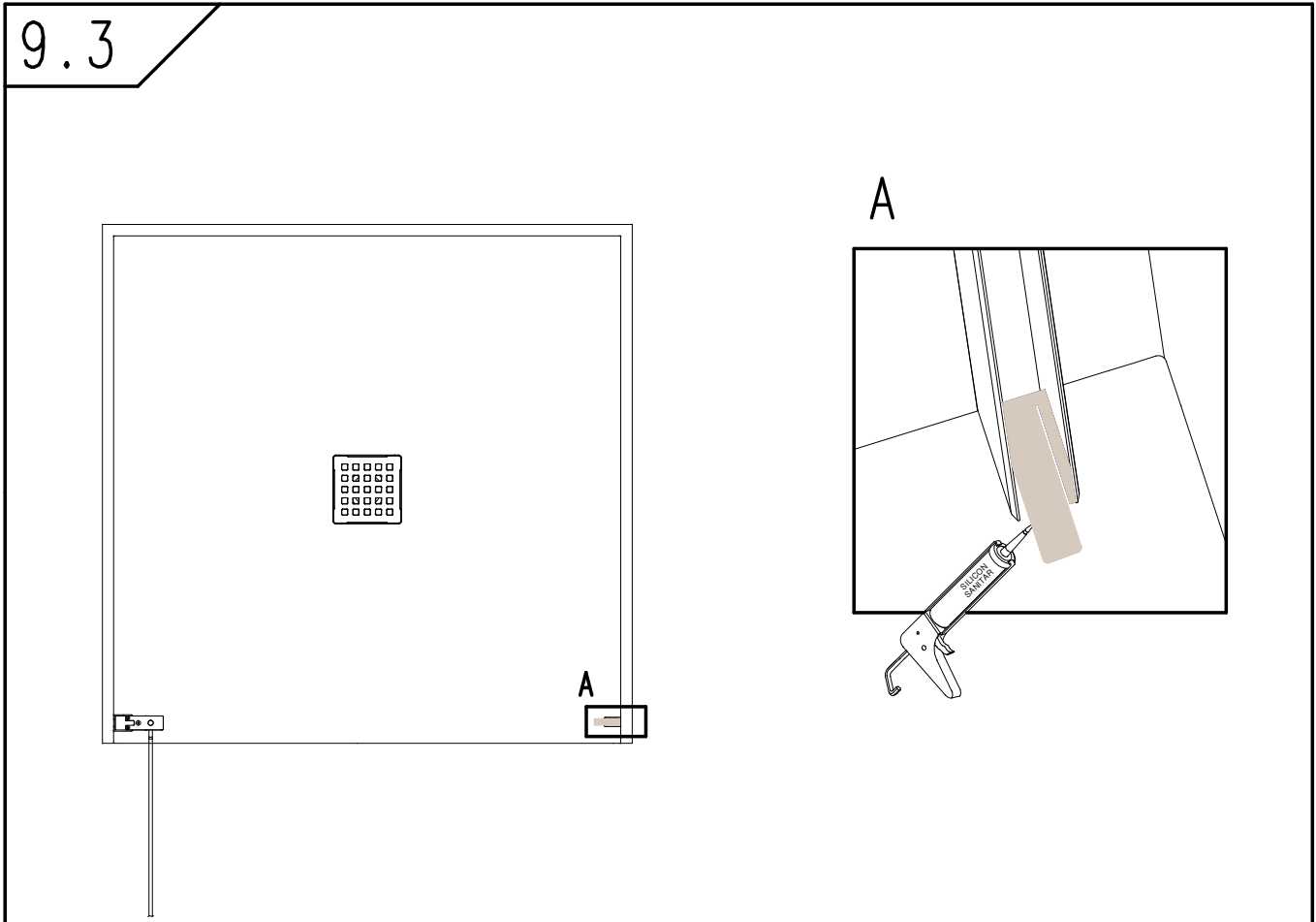
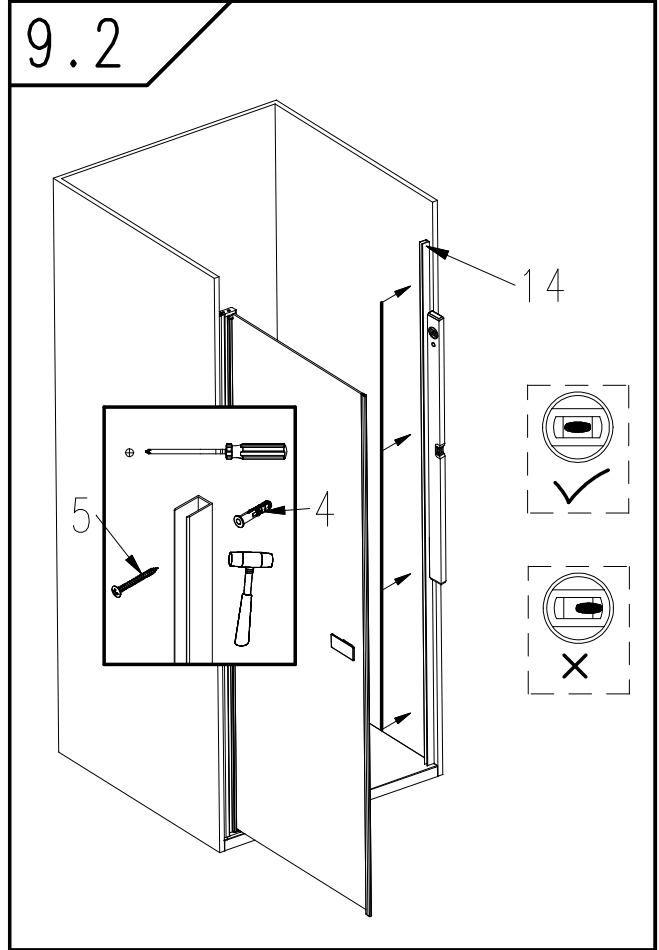
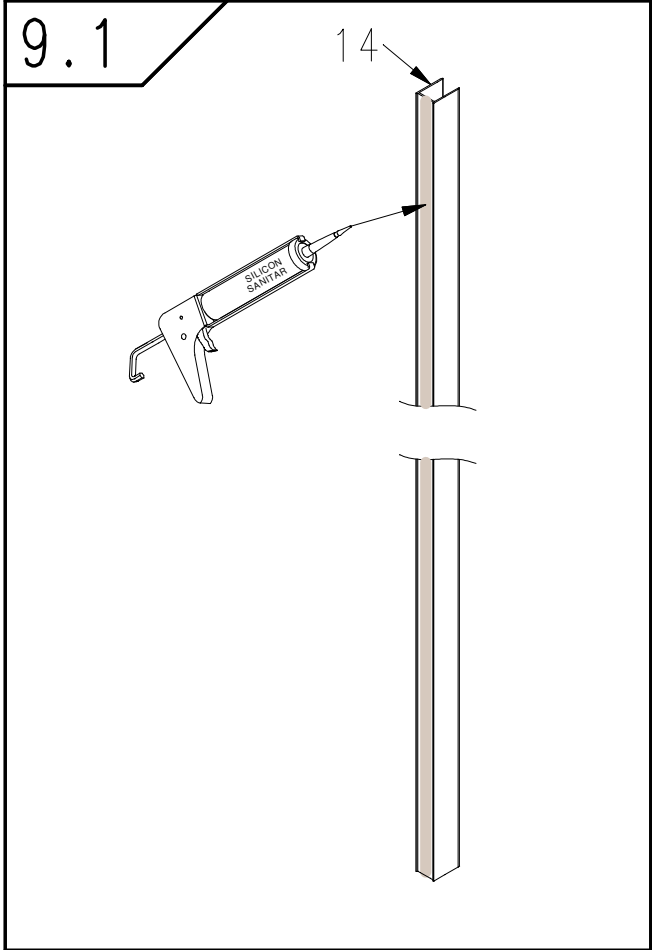


8

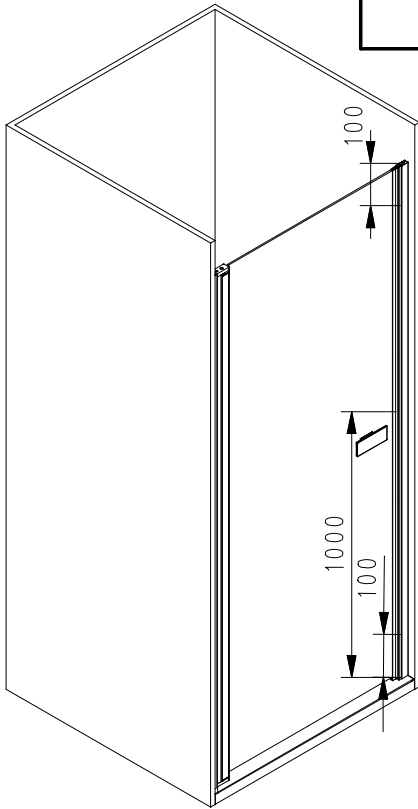
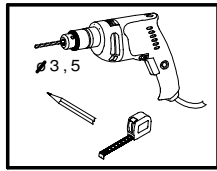


9

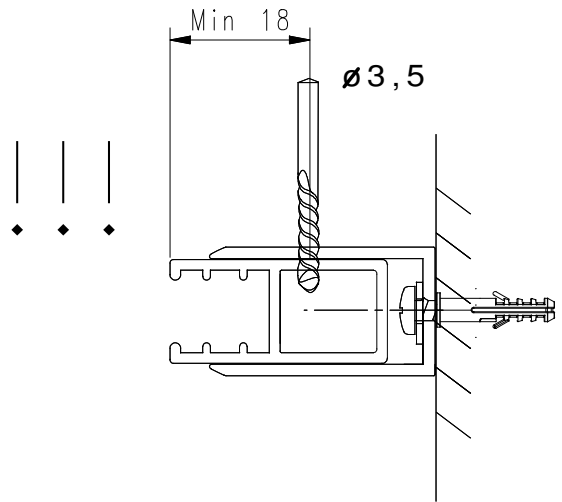
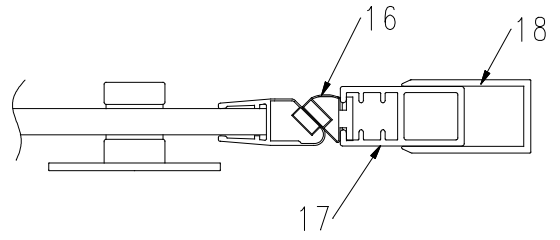




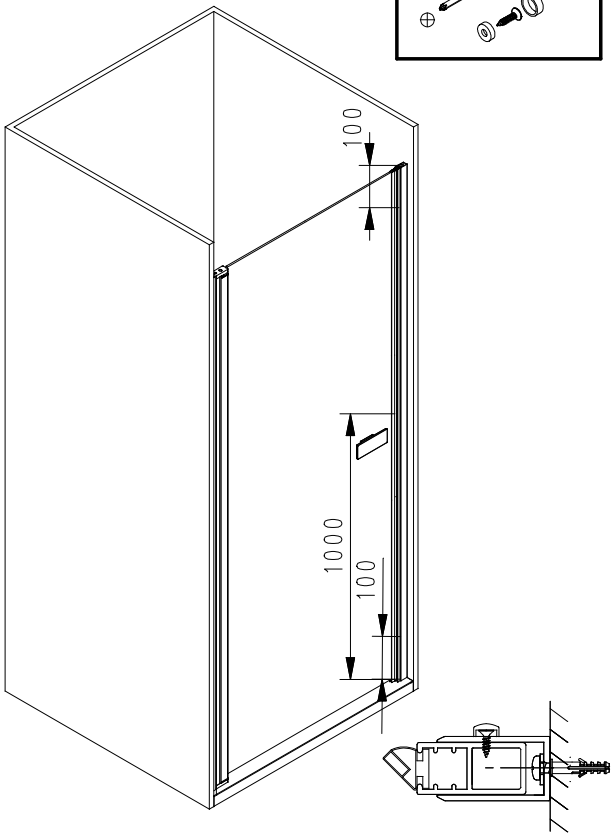
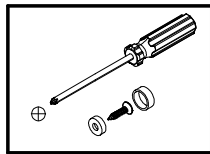
9.4



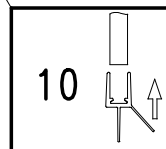
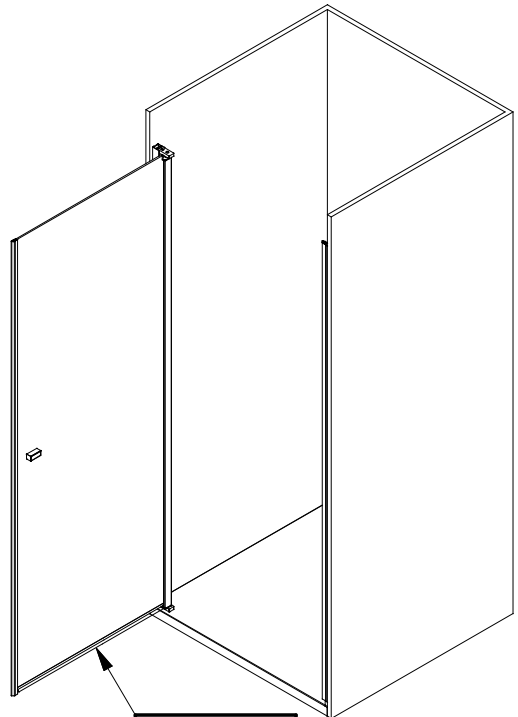
9.5



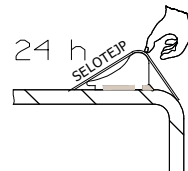
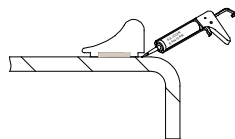
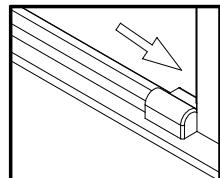
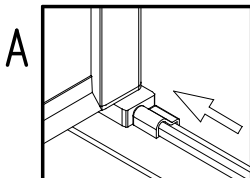
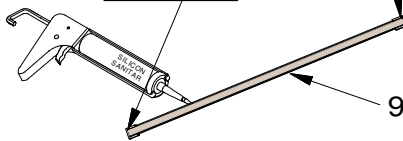
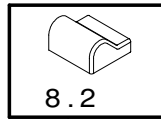
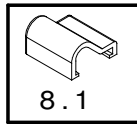
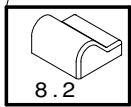
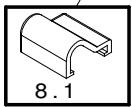
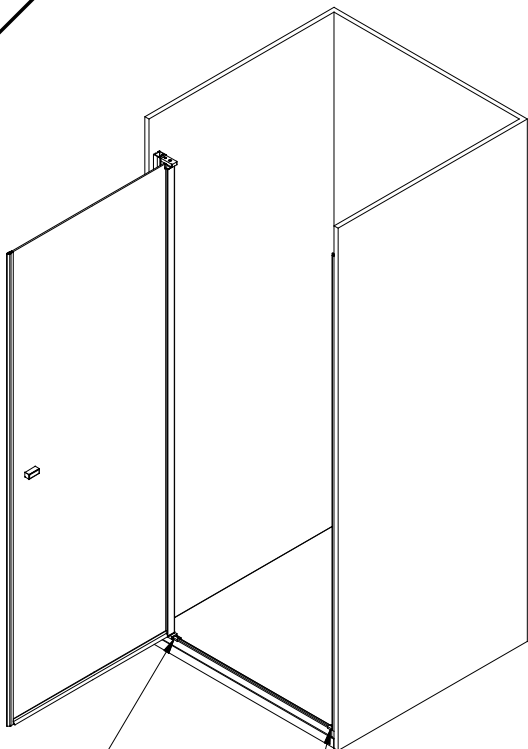
9.6



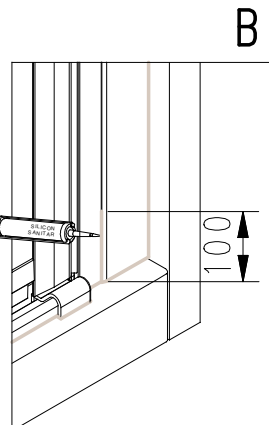
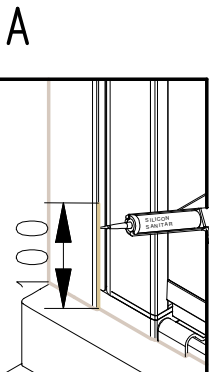
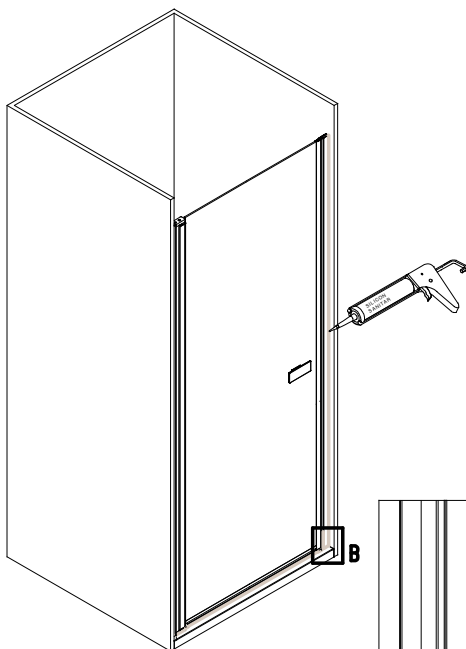
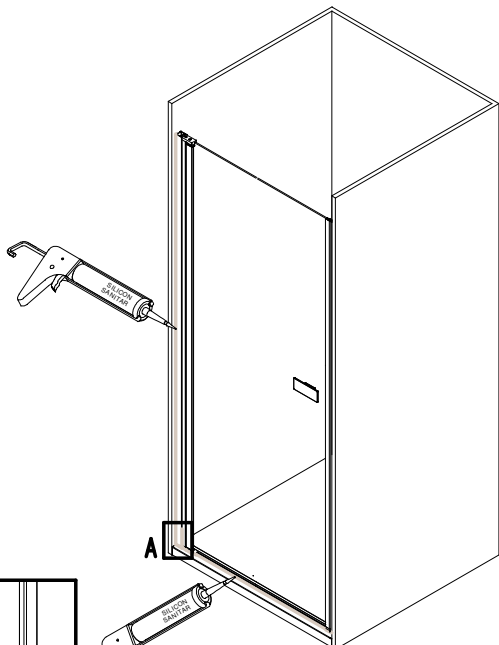
10



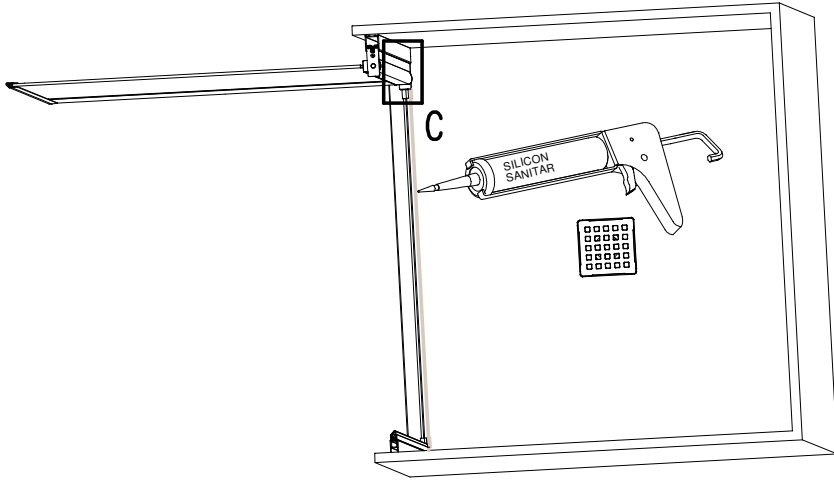
11



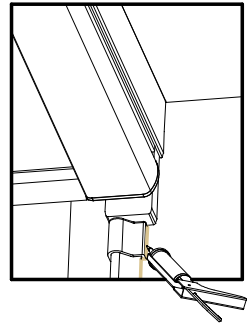
13



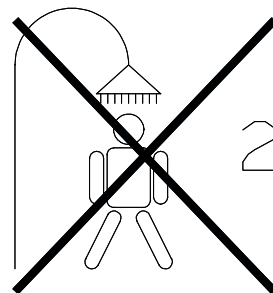
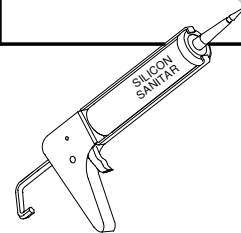
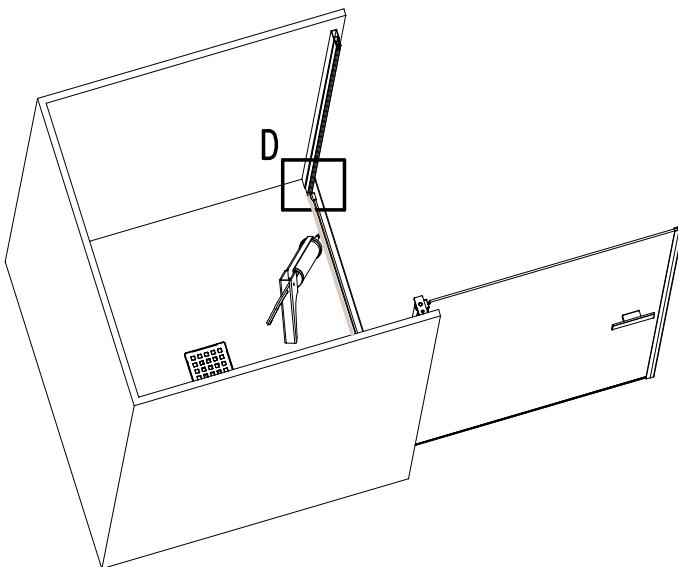
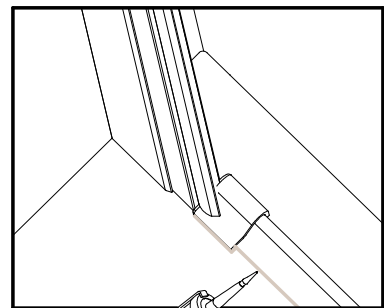
14



C



D



24 h